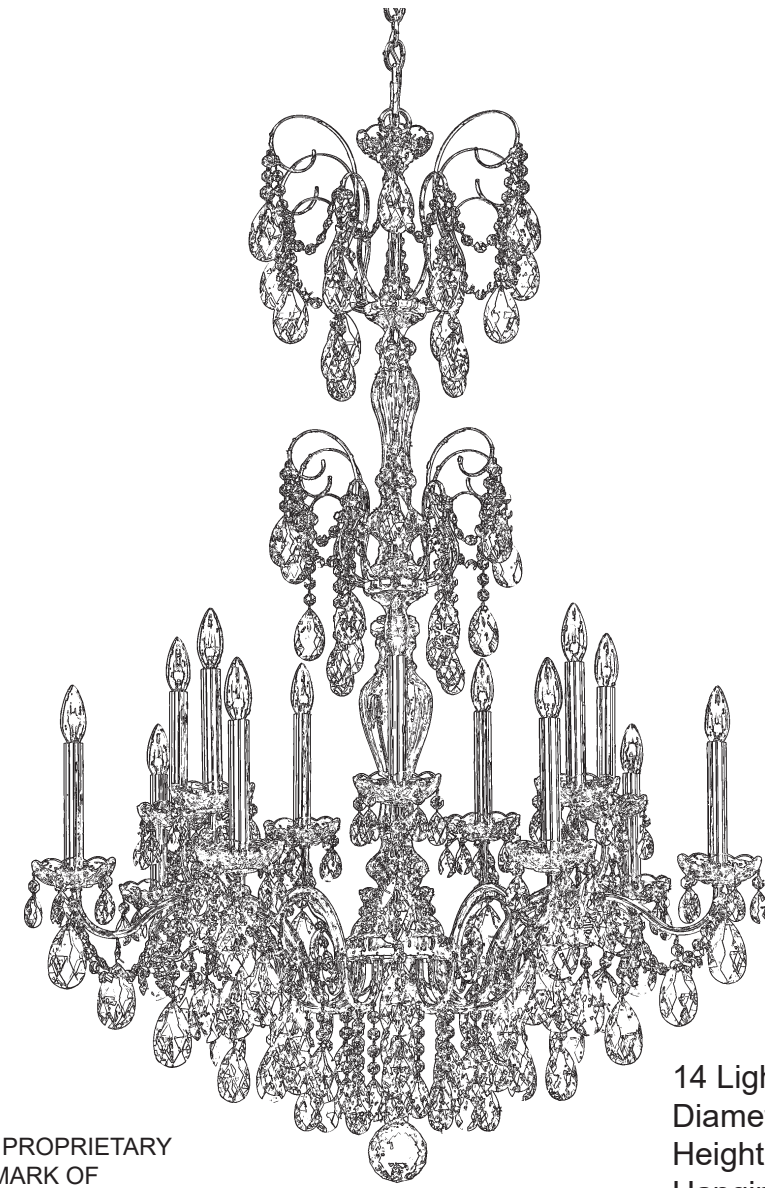


SONATINA ST1952N- __ __ H













14 Lights
Diameter: 35"
Height: 52-1/2"
Hanging Weight: 48lbs.

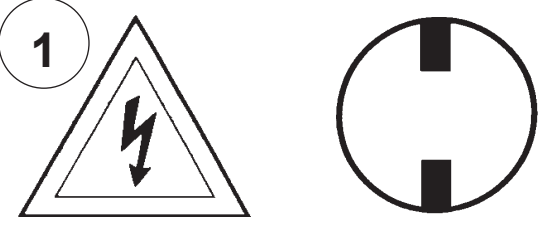
THIS DESIGN IS THE PROPRIETARY
TRADE DRESS/TRADEMARK OF
W SCHONBEK LLC.

 **SCHONBEK** | 1870

 **SCHONBEK** | 1870

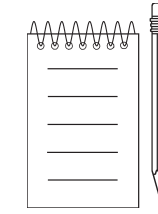
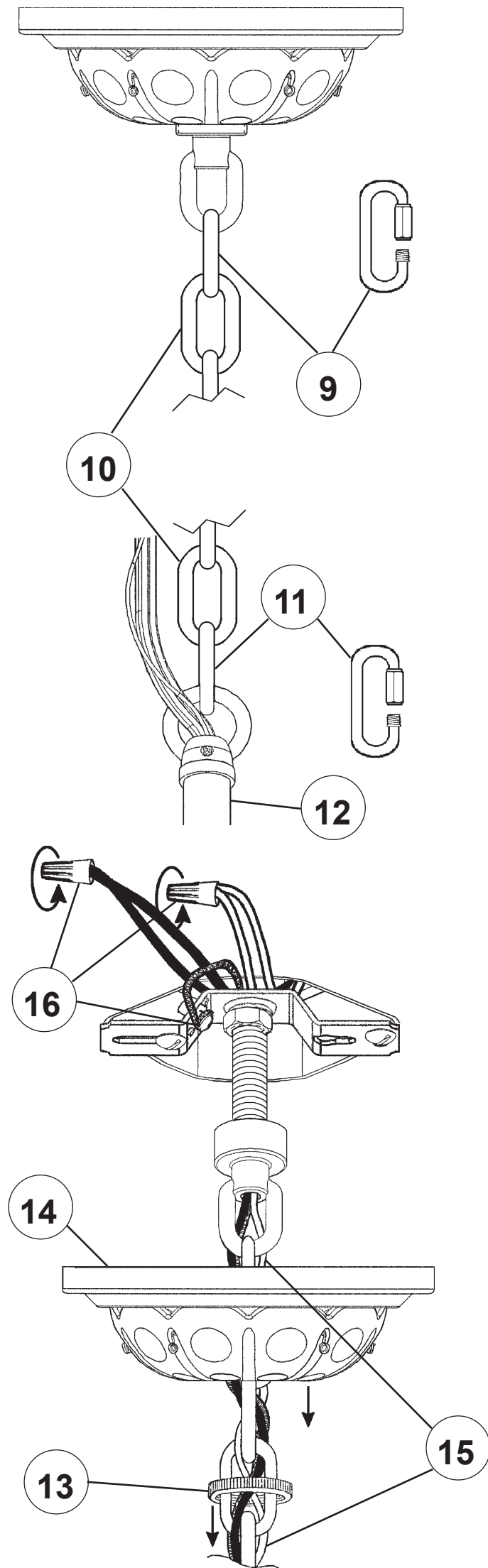
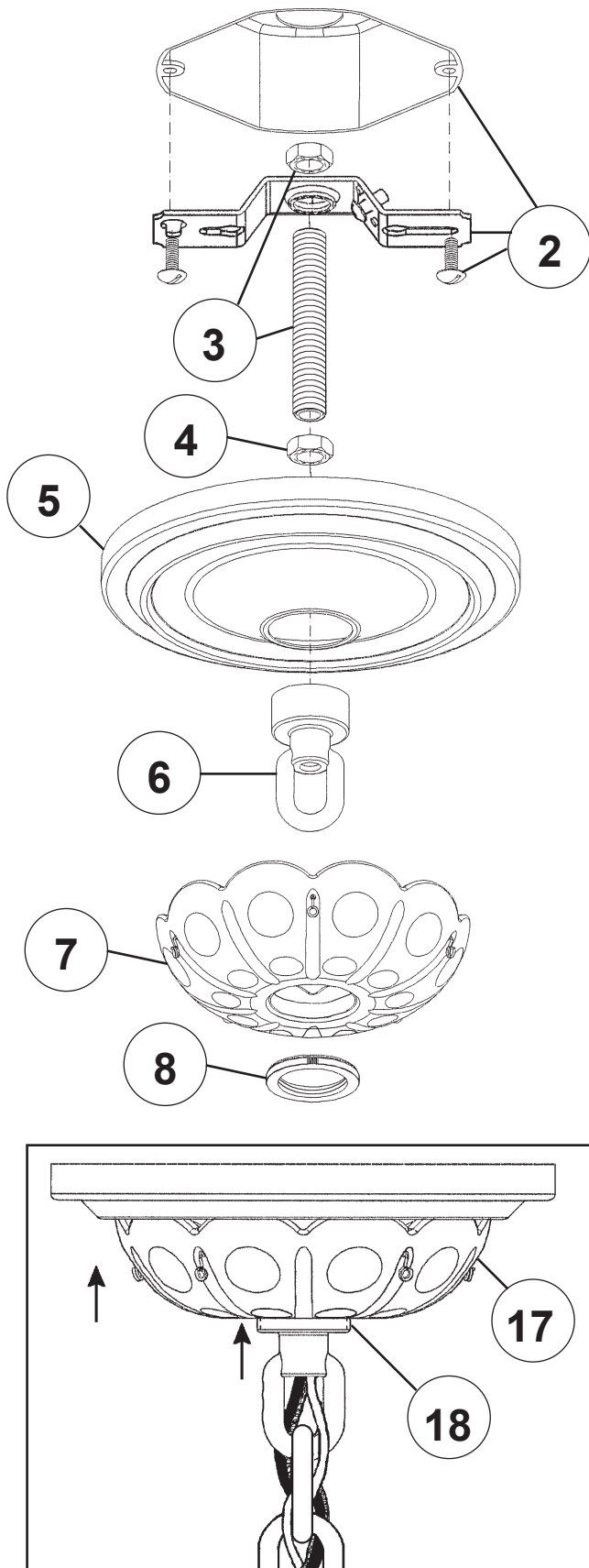
								
MAX <u>60</u> W	110-120 V							

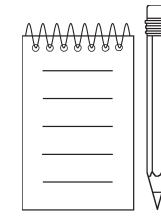
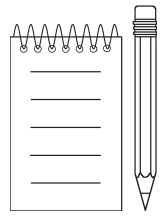
WARNING:

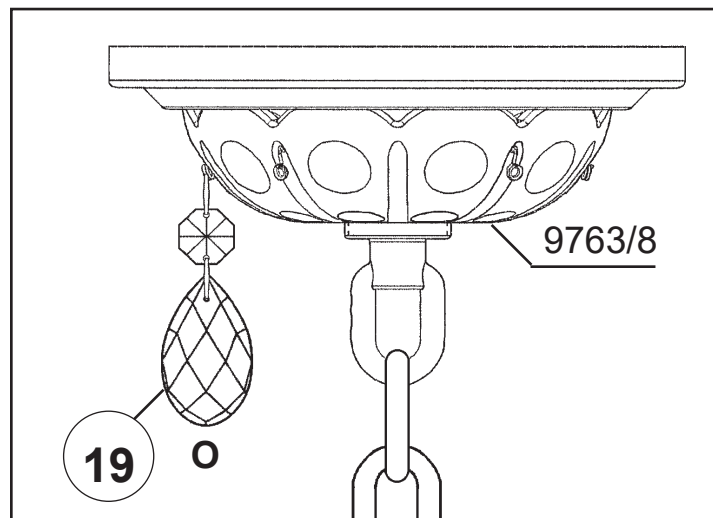
1 

Electrical Danger Turn Power Off

All electrical components must be installed by a licensed electrician in accordance with the National Electric Code and the appropriate local electrical codes.



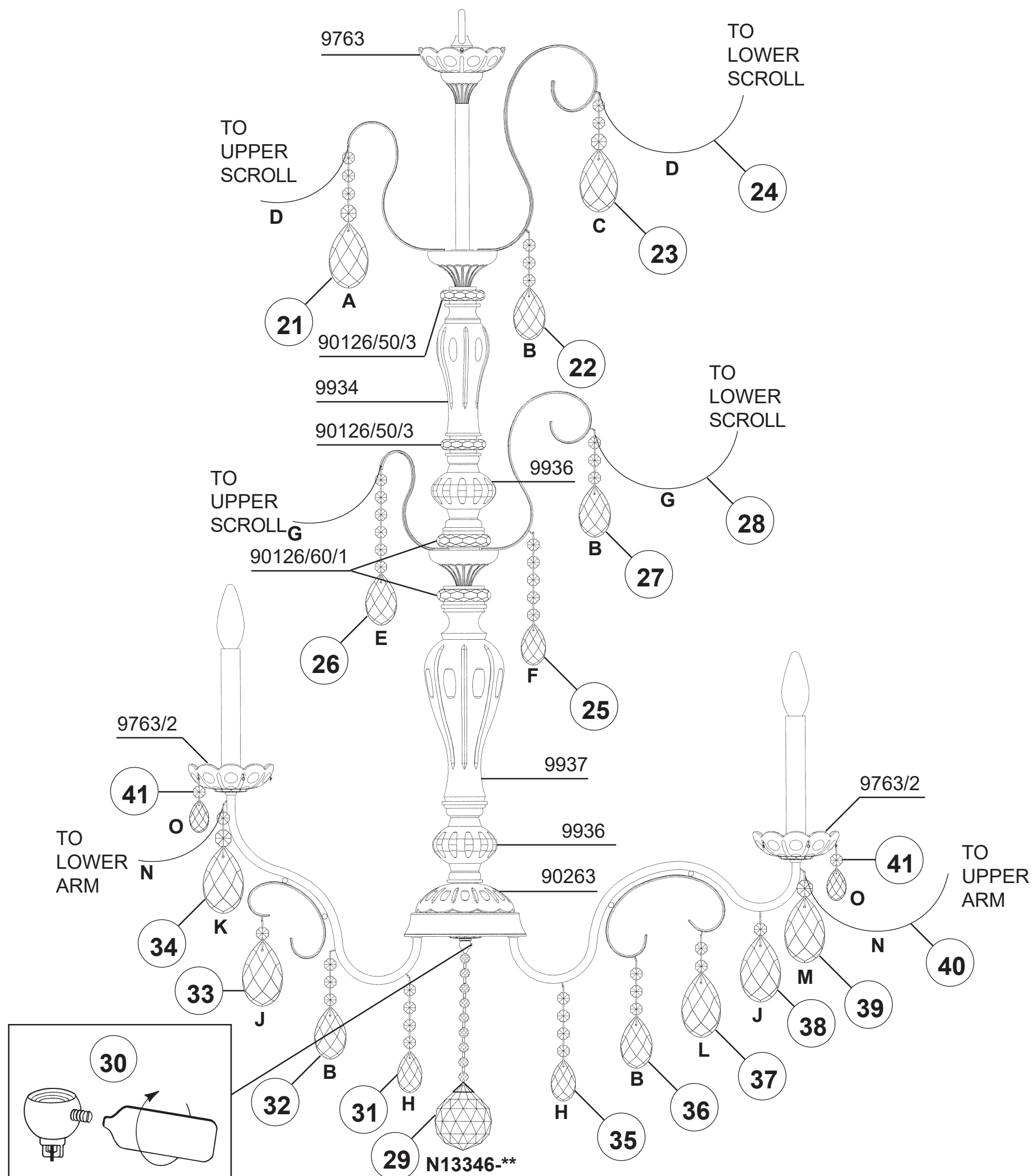




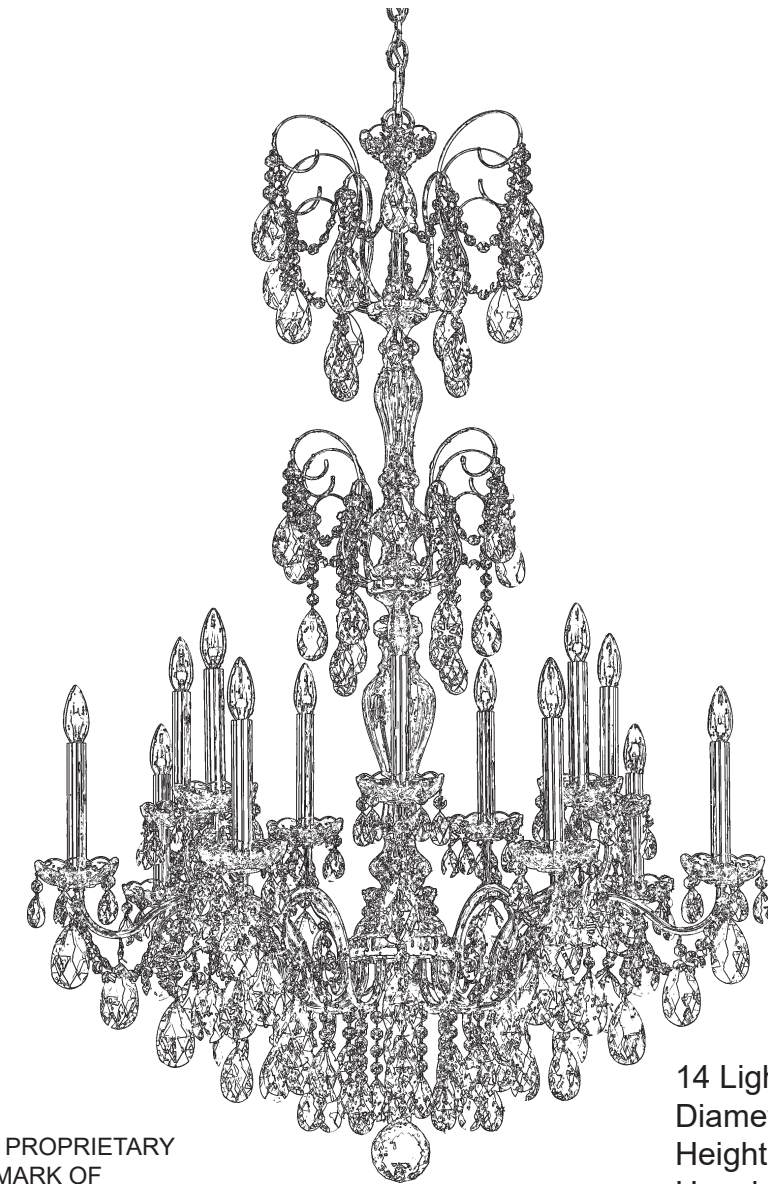
20

You will need 14 - B10
25 Watts Recommended
60 Watts Max

Install bulbs and be sure
to test fixture **BEFORE**
trimming.



SONATINA ST1952N- __ __ S













14 Lights
Diameter: 35"
Height: 52-1/2"
Hanging Weight: 48lbs.

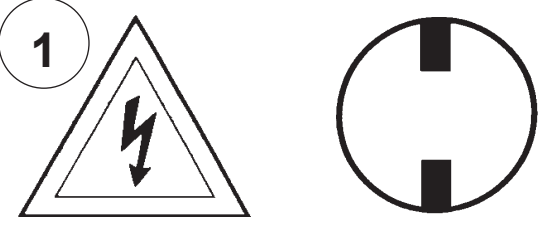
THIS DESIGN IS THE PROPRIETARY
TRADE DRESS/TRADEMARK OF
W SCHONBEK LLC.

 **SCHONBEK** | 1870

 **SCHONBEK** | 1870

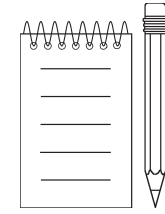
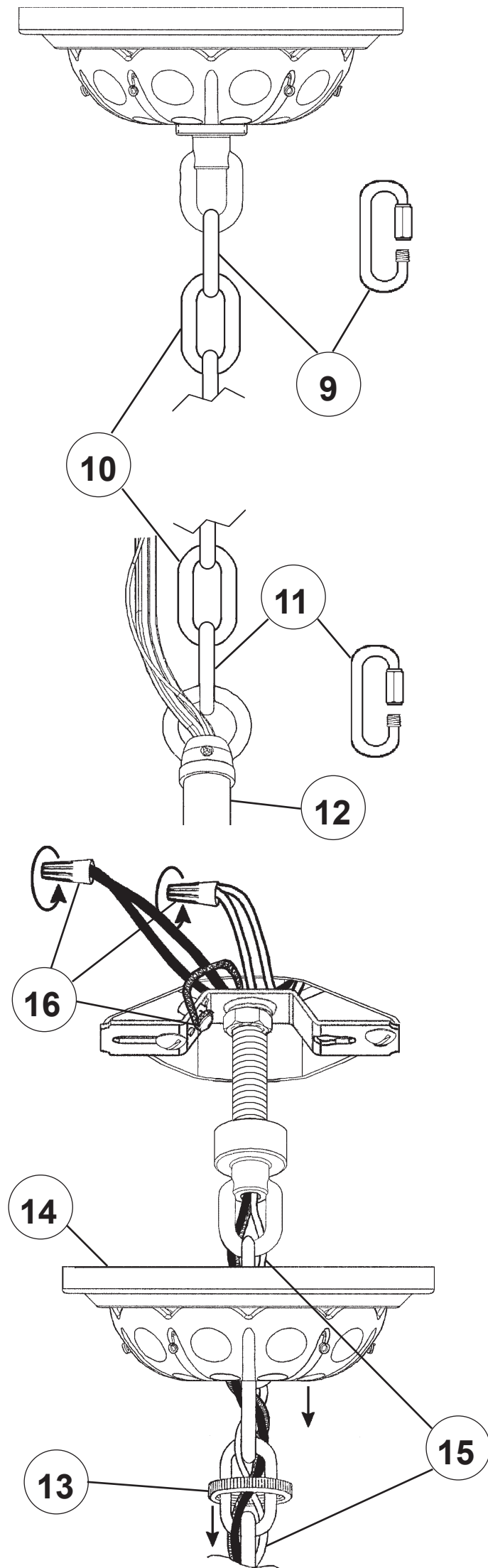
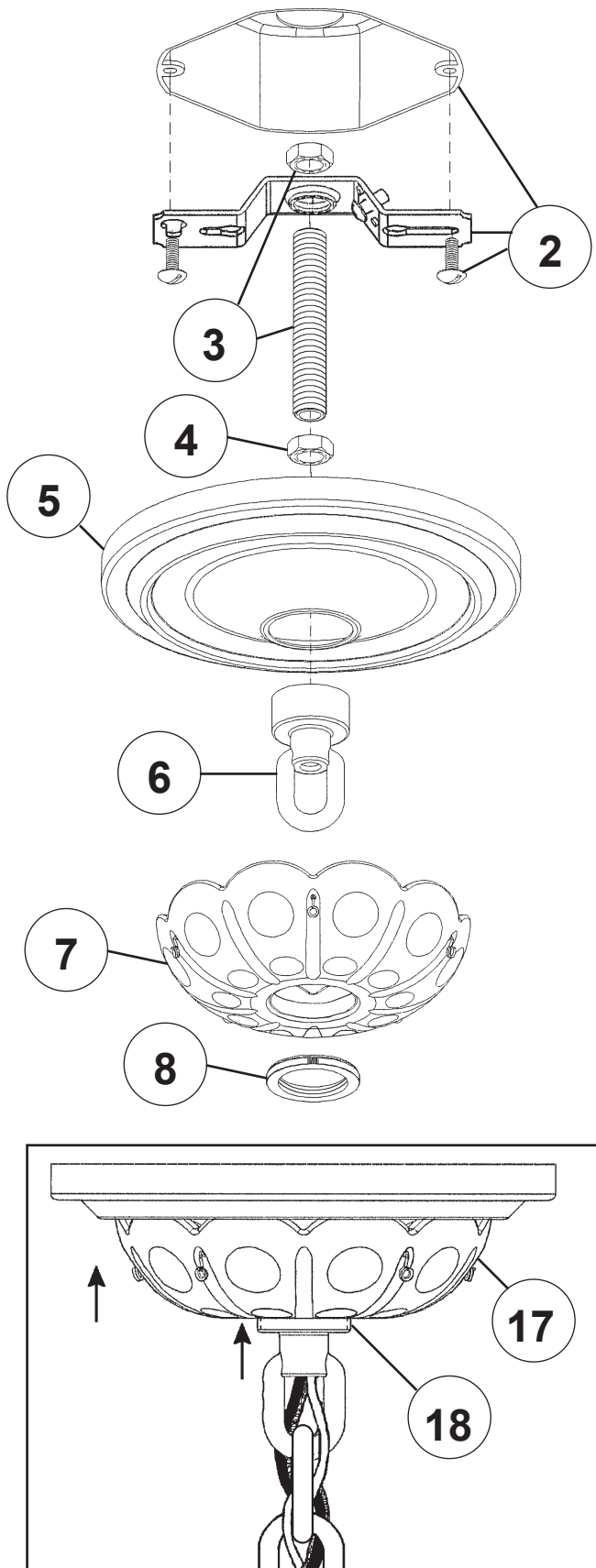
								
MAX 60 W	110-120 V							

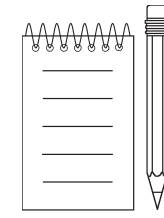
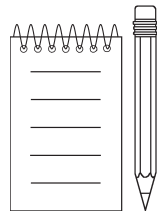
WARNING:

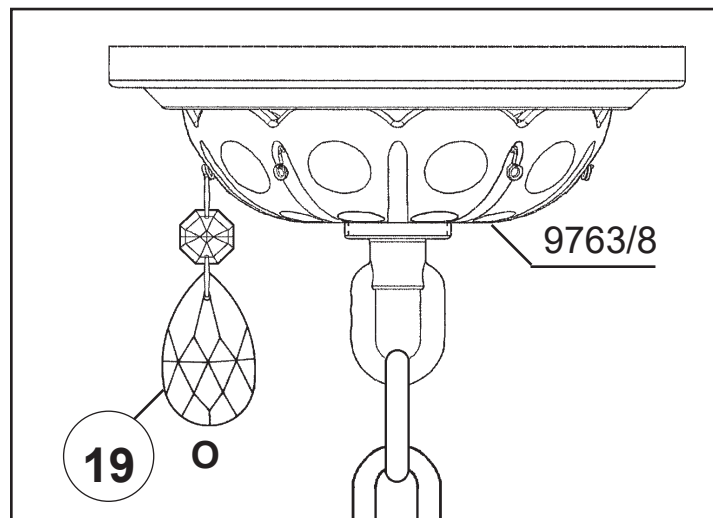
1 

Electrical Danger Turn Power Off

All electrical components must be installed by a licensed electrician in accordance with the National Electric Code and the appropriate local electrical codes.








20

You will need 14 - B10
25 Watts Recommended
60 Watts Max

Install bulbs and be sure
to test fixture **BEFORE**
trimming.

