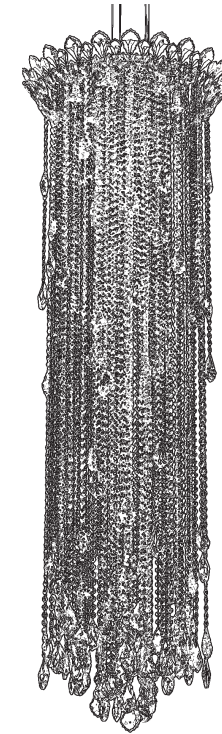


 **SCHONBEK** | 1870











# TRILLIANE STRANDS TR2413N- \_\_ \_\_ H



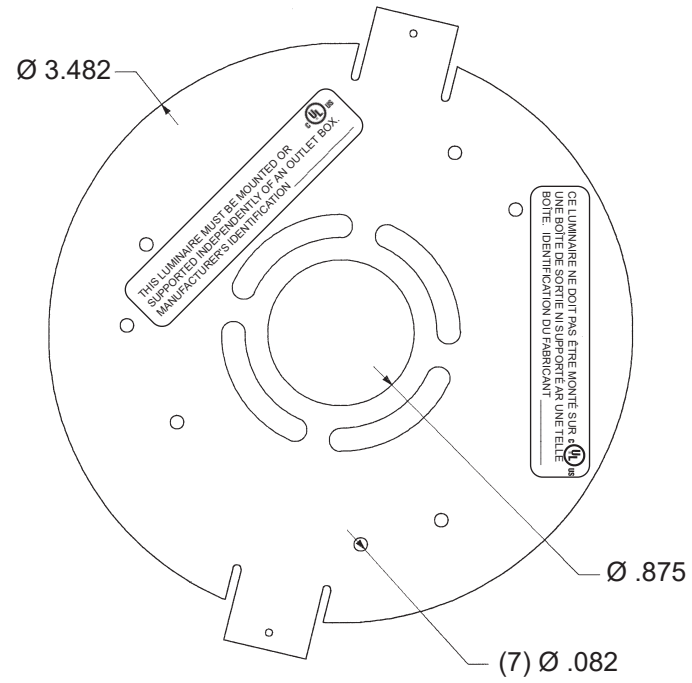
**T**HIS DESIGN IS THE PROPRIETARY  
TRADE DRESS/TRADEMARK OF  
W SCHONBEK LLC.

6 Lights  
Diameter: 24"  
Height: 73"  
Hanging Weight: 57lbs.

 **SCHONBEK** | 1870

			<b>S</b>						
MAX <b>50</b> W	110-120 V								

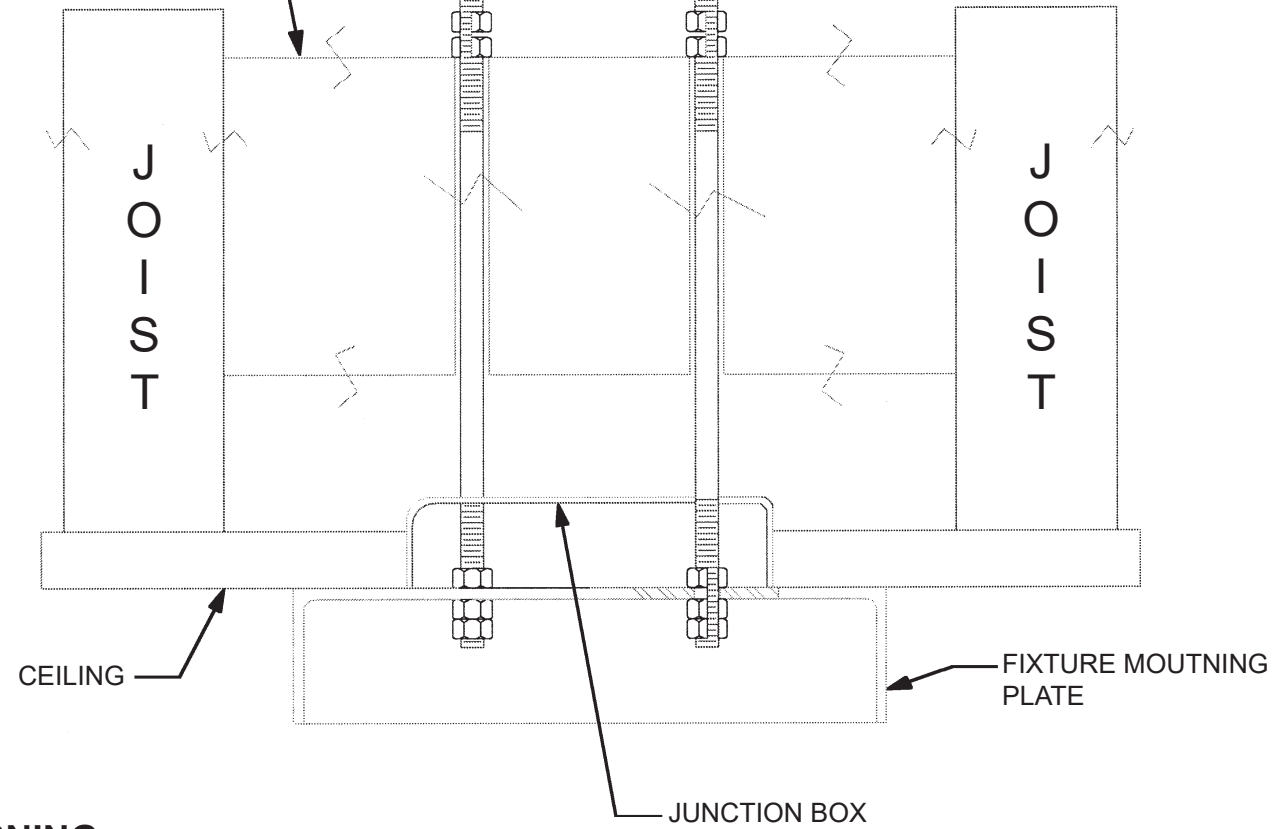
**NOTE:** INSTALLER IS SOLELY RESPONSIBLE FOR PROPER MOUNTING!



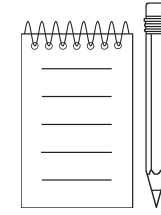
CROSS MEMBERS SECURELY FASTENS TO JOIST OR SIMILAR STRUCTURE MEMBER

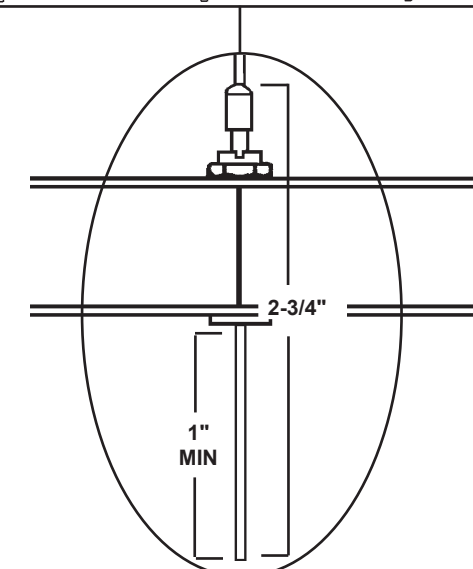
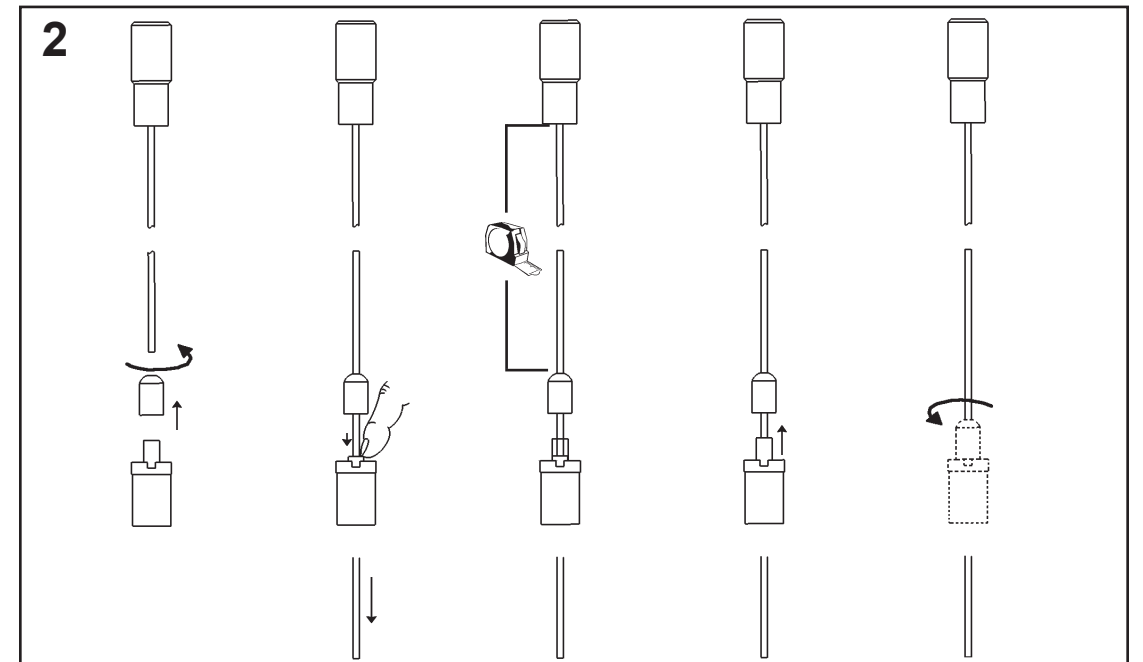
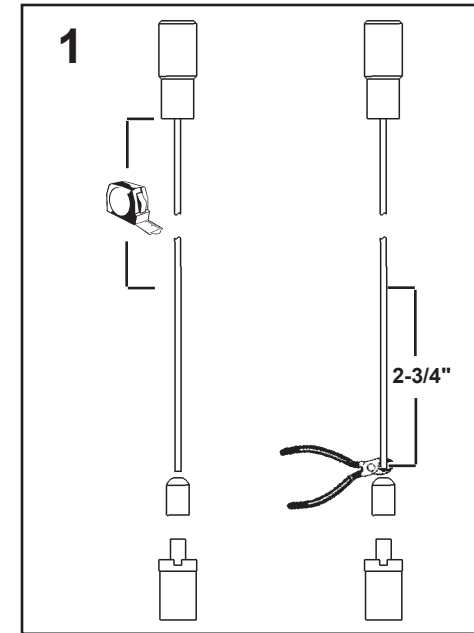
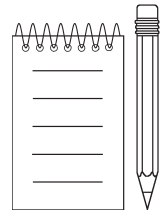
PLAN VIEW OF MOUNTING BRACKET

Ø1/4-20 THREADED ROD

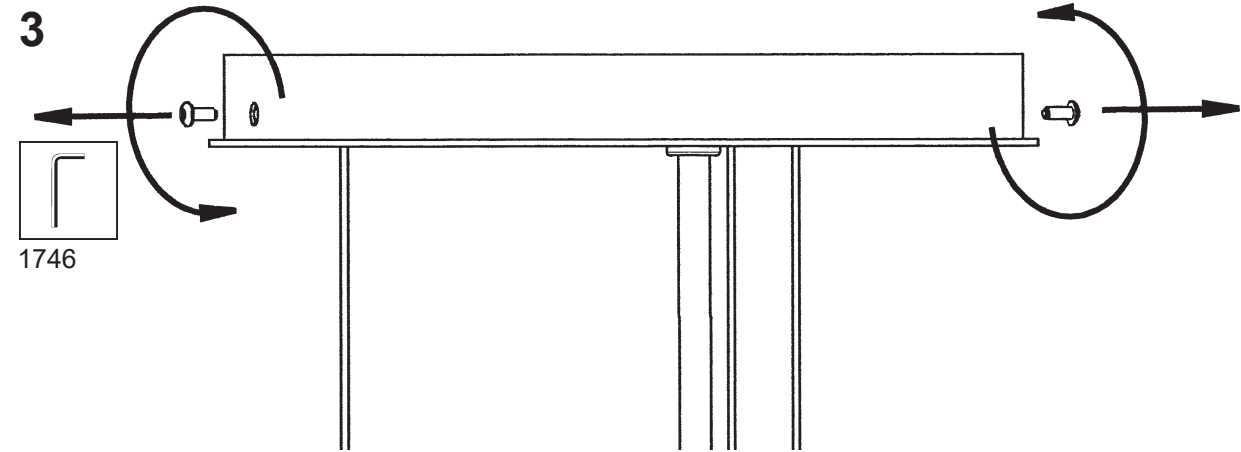


**WARNING:** MOUNTING CONFIGURATION AND HARDWARE MUST HOLD 4X THE WEIGHT OF THE FIXTURE. MOUNTING DESIGN AND FIXTURE INSTALLATION SHOULD BE CONDUCTED BY A QUALIFIED LICENSED PROFESSIONAL.

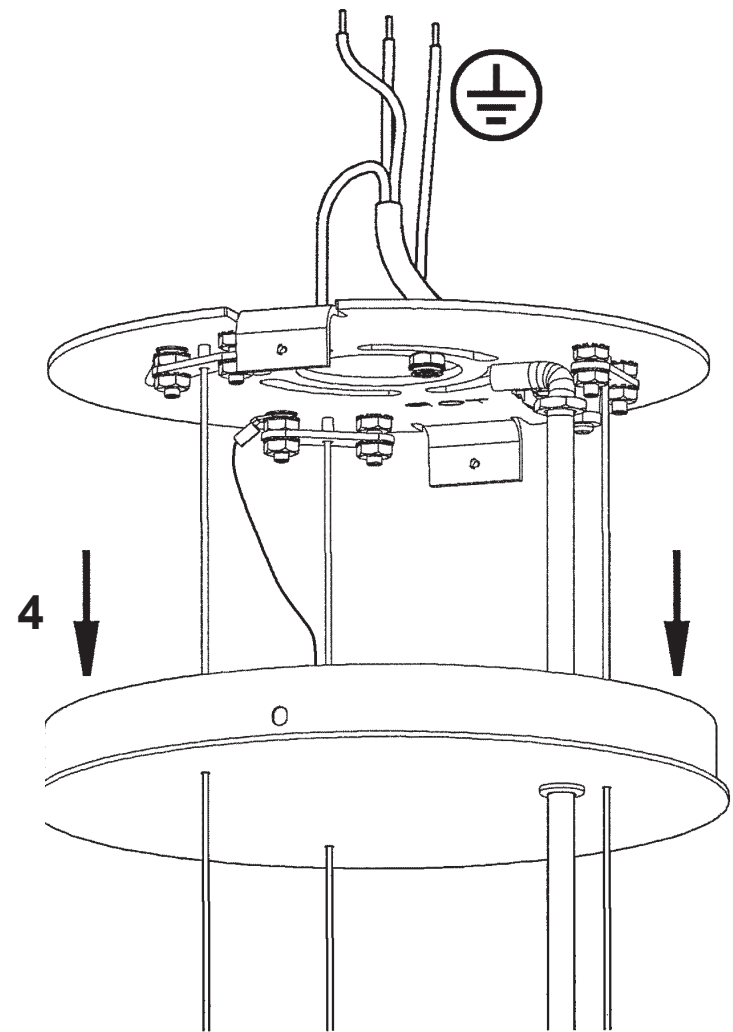




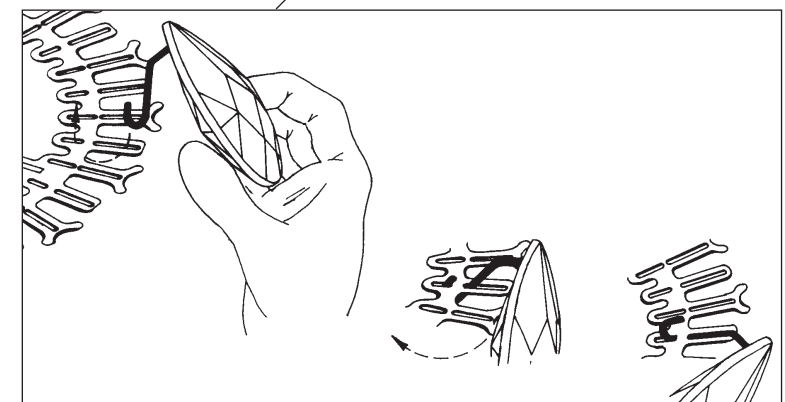
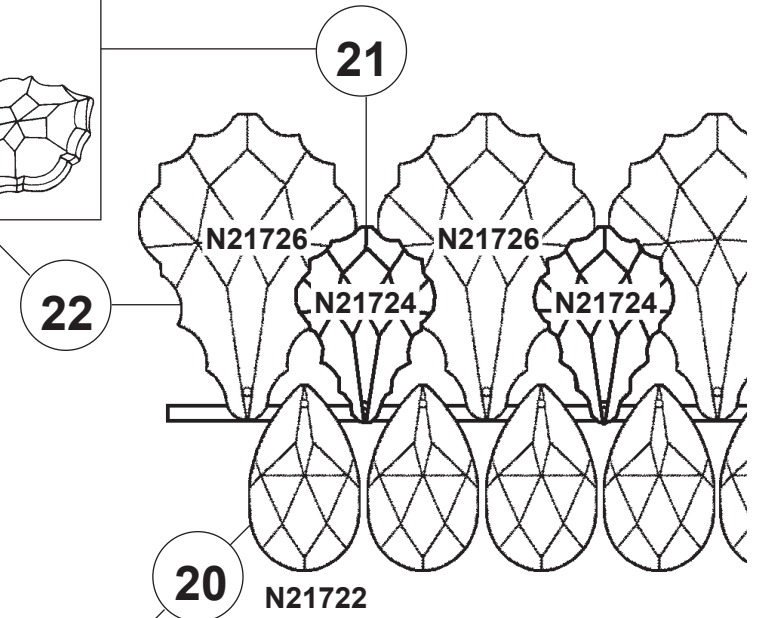
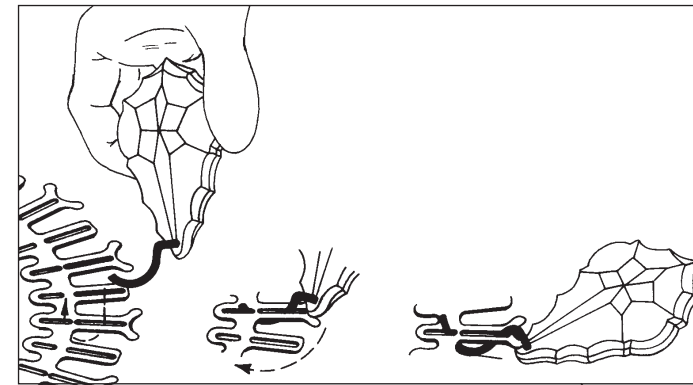
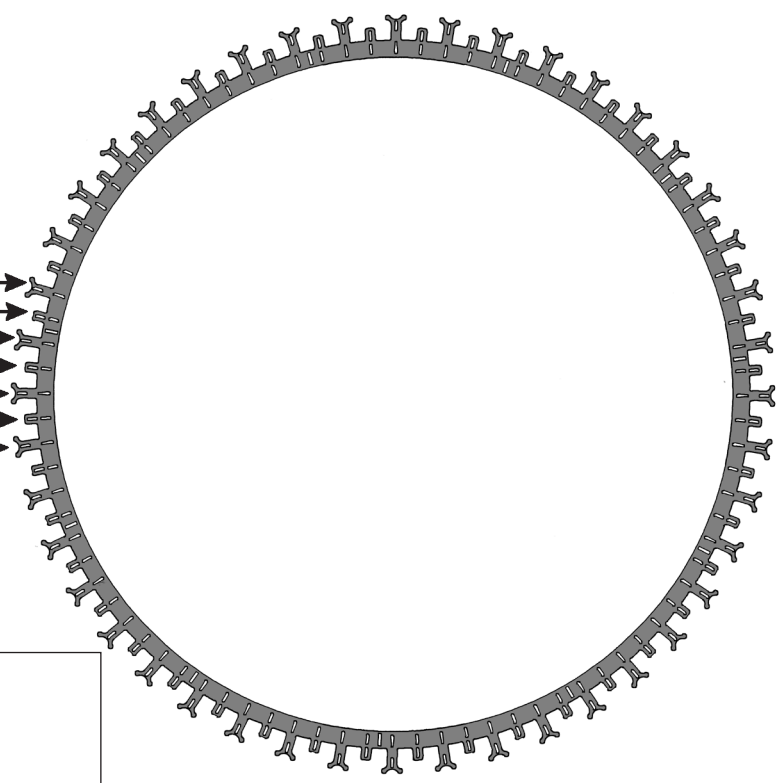
1 X  : 1746

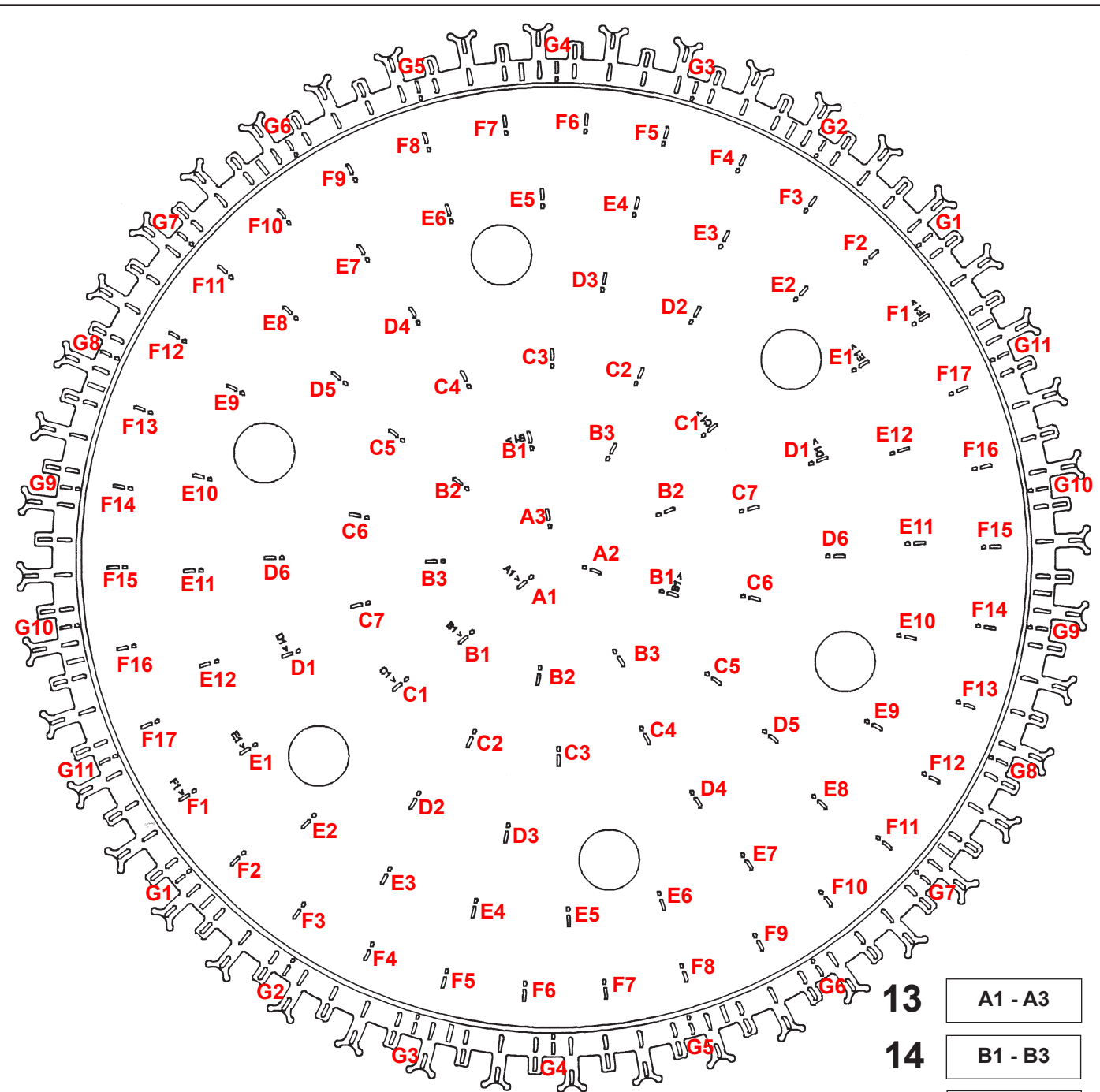


  
1746

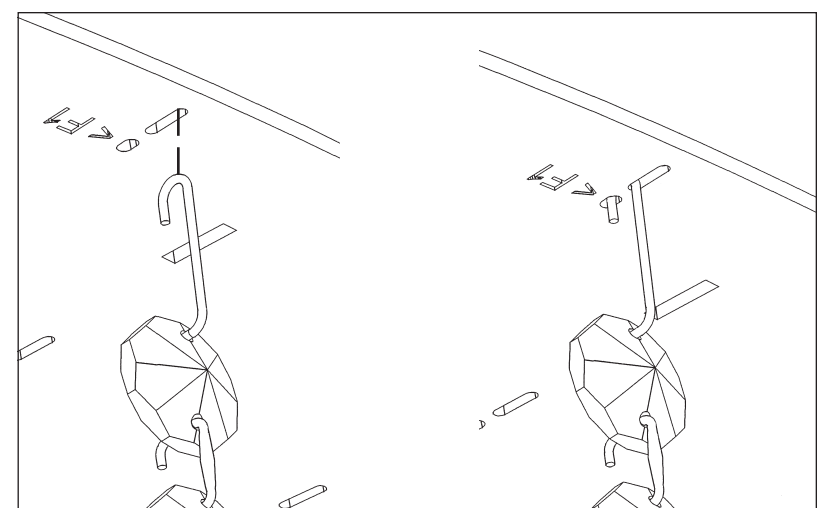


N21726 →  
N21722 →  
N21724 →  
N21722 →  
N21726 →  
N21722 →  
N21724 →

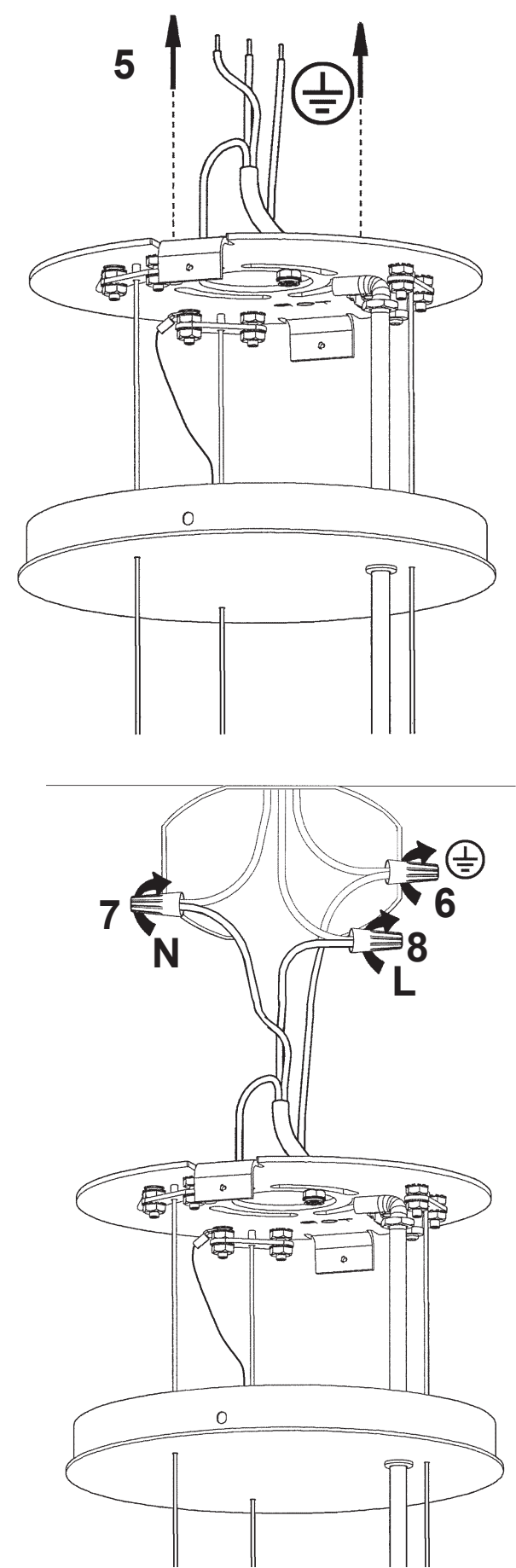


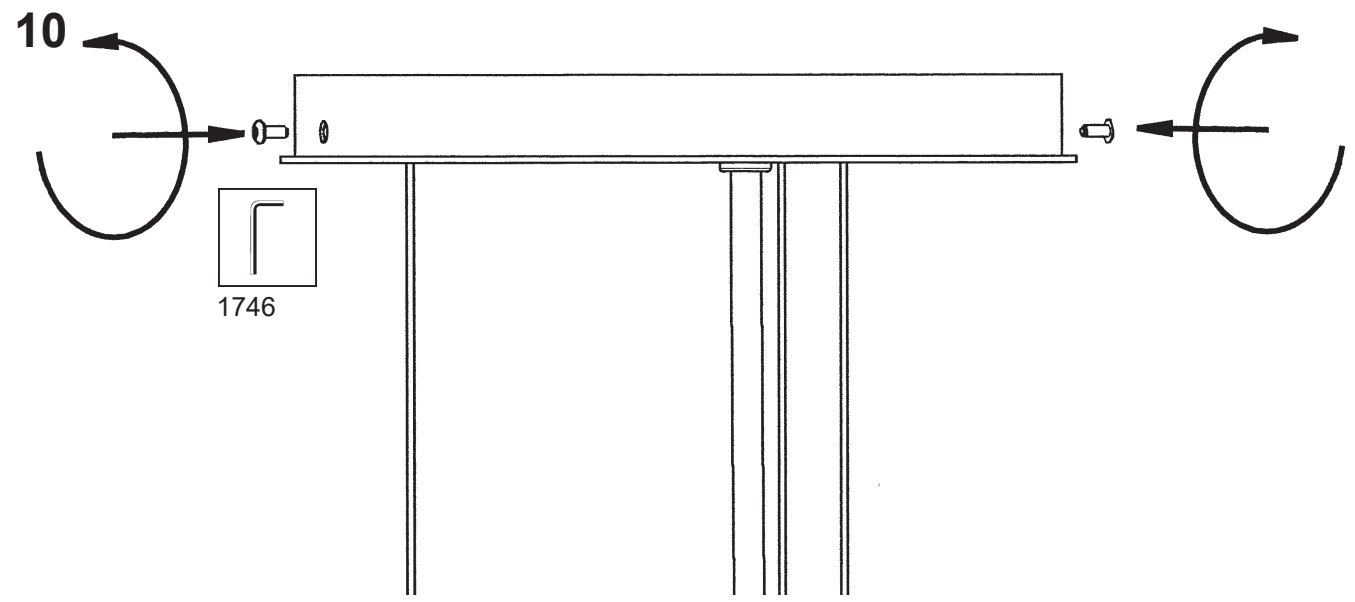
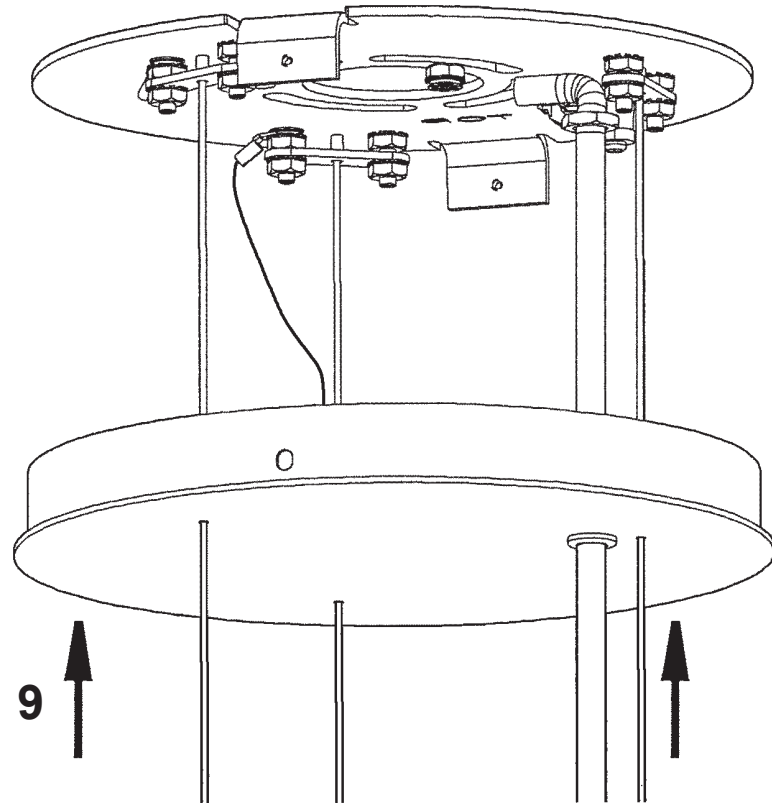


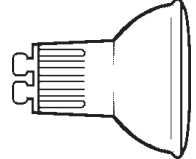

- 13** A1 - A3
- 14** B1 - B3
- 15** C1 - C7
- 16** D1 - D6
- 17** E1 - E12
- 18** F1 - F17
- 19** G1 - G11

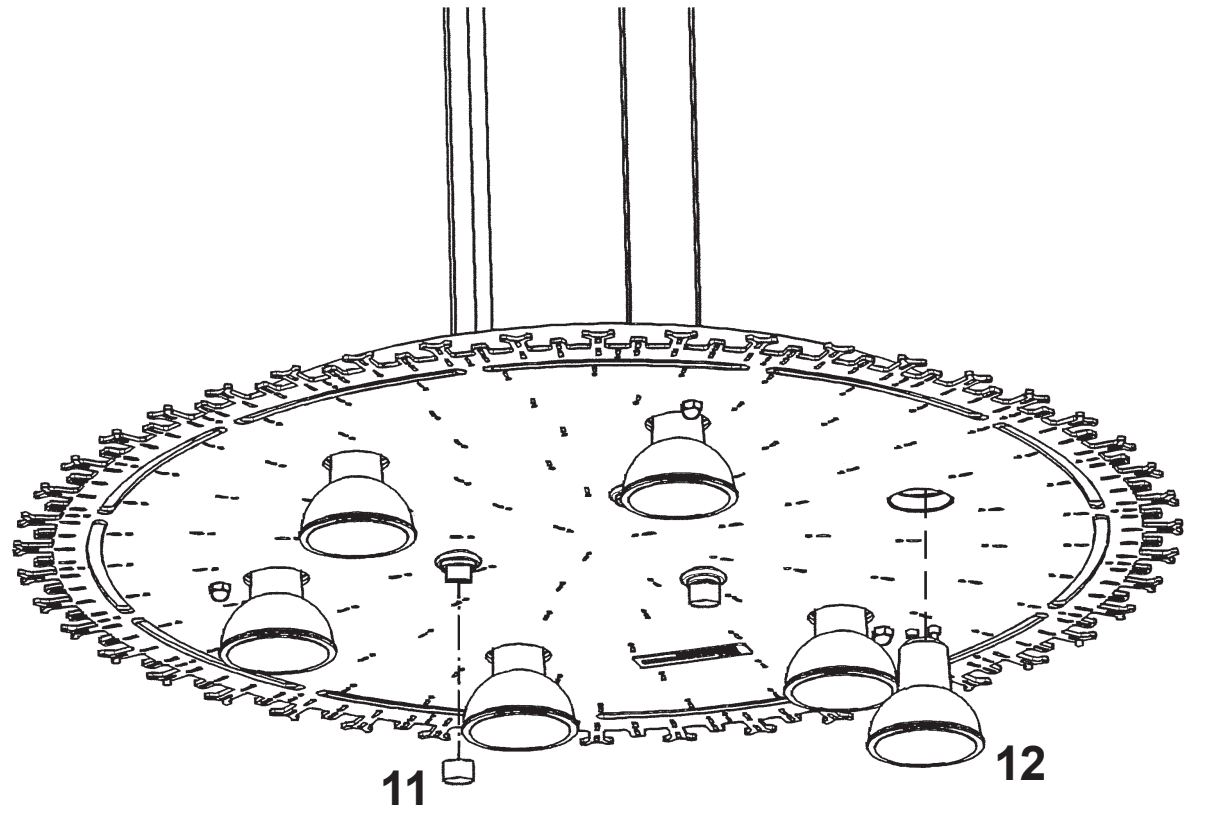


After hanging all trim, remove labels from crystals. If residue remains, wipe off crystal with a soft, dry cloth.



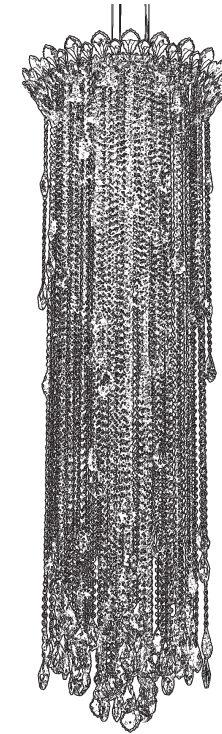


6 X  : GU10 50W MAX 



 **SCHONBEK** | 1870











# TRILLIANE STRANDS TR2413N- \_\_ \_ R



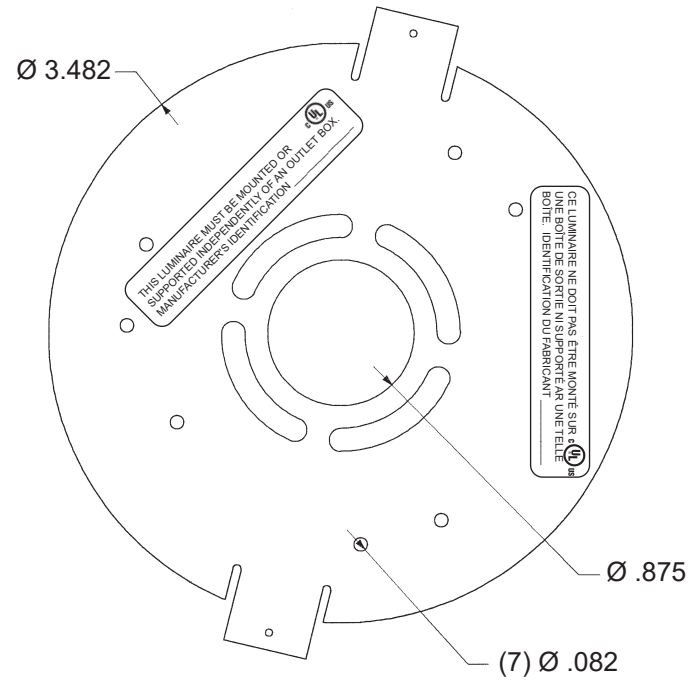
**T**HIS DESIGN IS THE PROPRIETARY  
TRADE DRESS/TRADEMARK OF  
W SCHONBEK LLC.

6 Lights  
Diameter: 24"  
Height: 73"  
Hanging Weight: 57lbs.

 **SCHONBEK** | 1870

			<b>S</b>						
MAX <b>50</b> W	110-120 V								

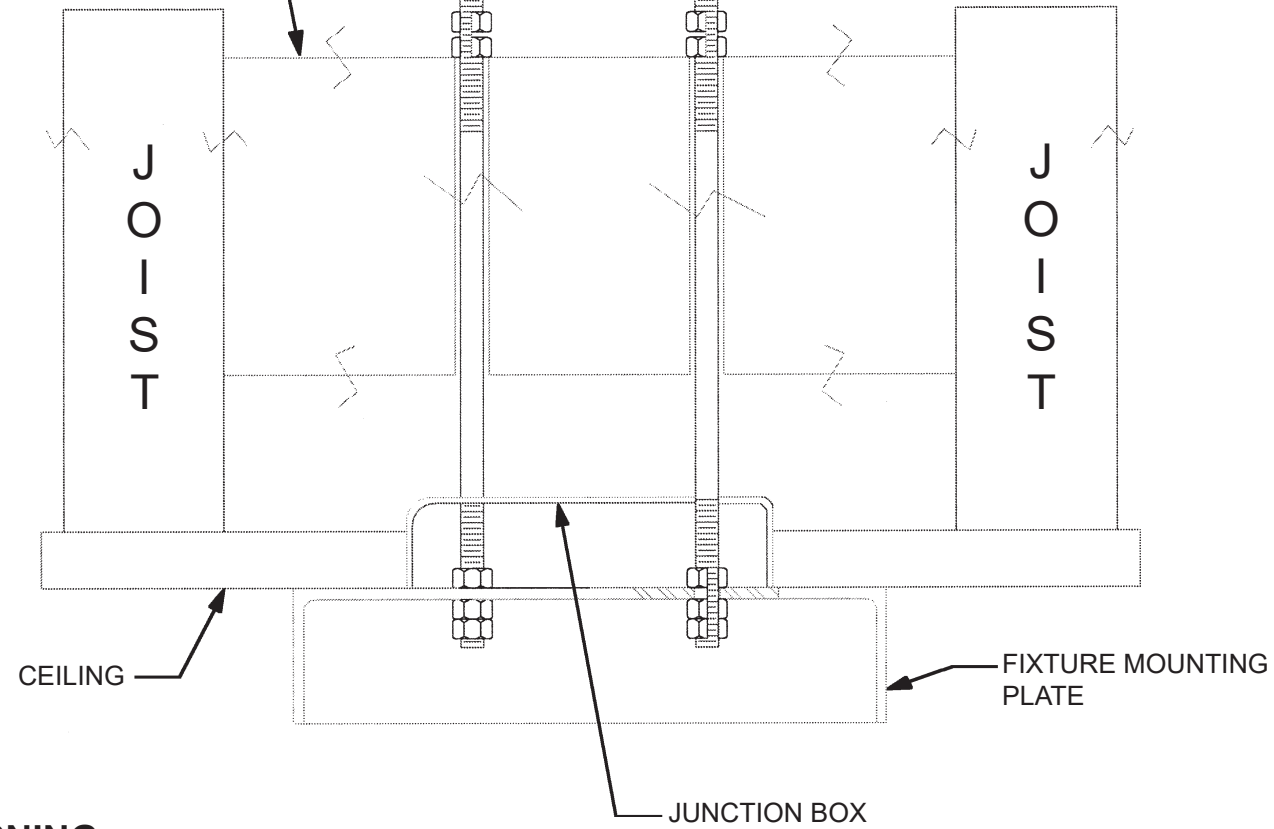
**NOTE:** INSTALLER IS SOLELY RESPONSIBLE FOR PROPER MOUNTING!



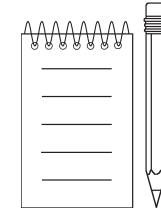
CROSS MEMBERS SECURELY FASTENS TO JOIST OR SIMILAR STRUCTURE MEMBER

PLAN VIEW OF MOUNTING BRACKET

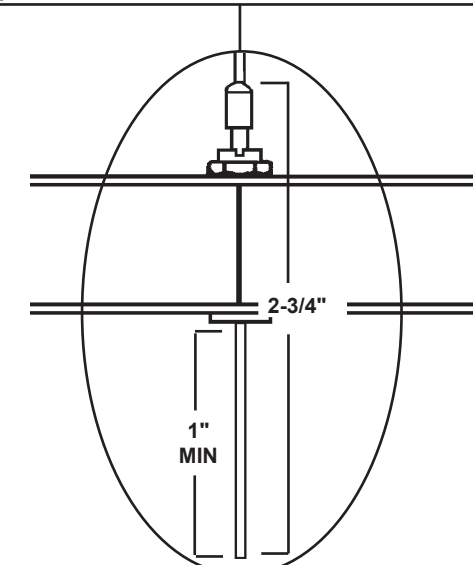
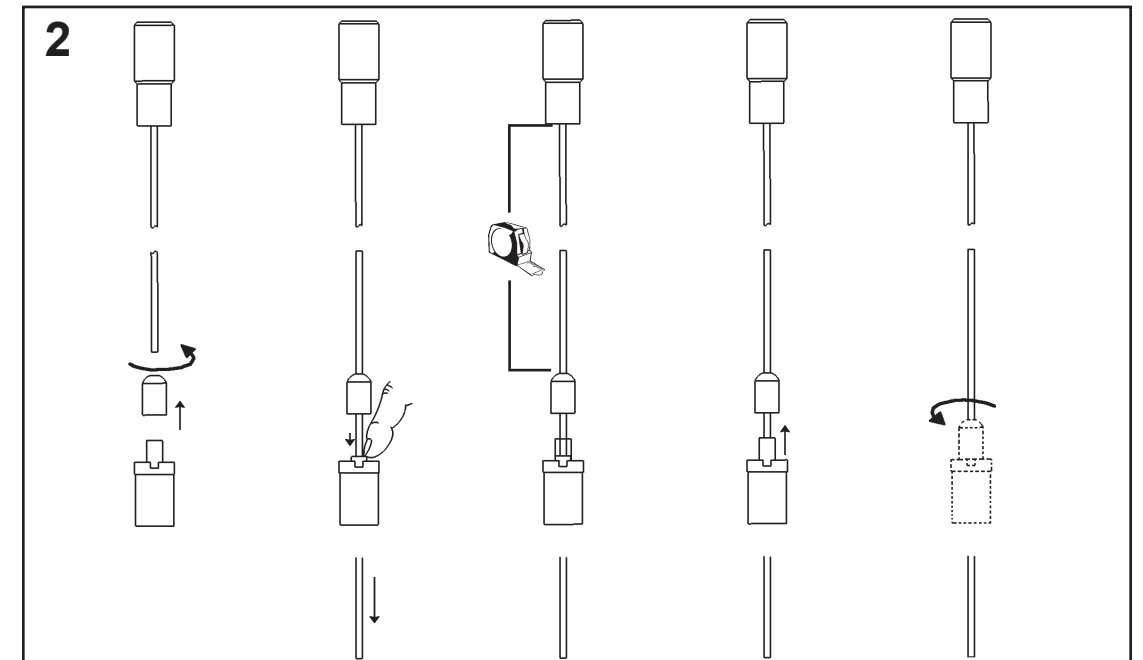
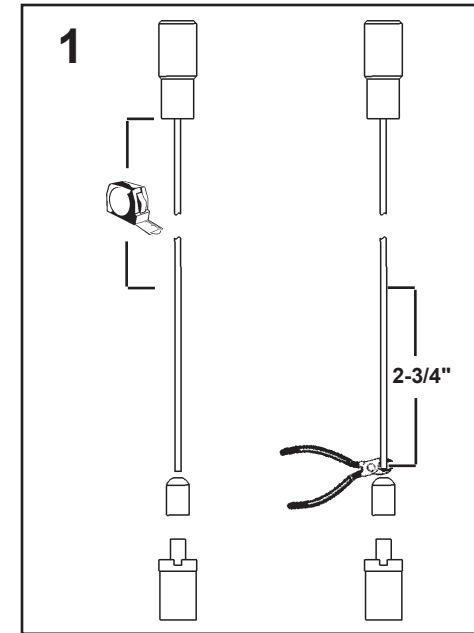
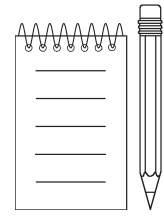
Ø1/4-20 THREADED ROD



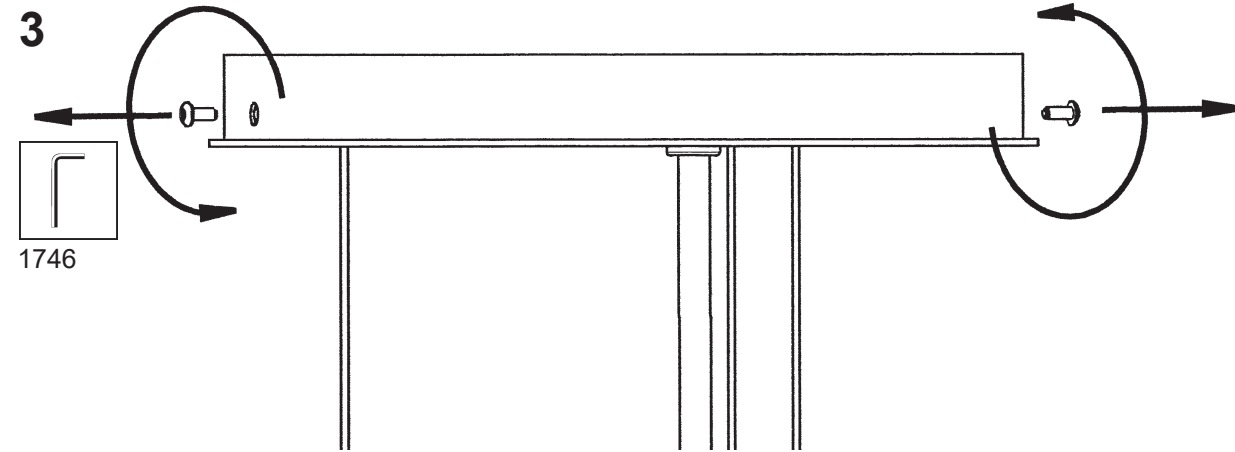
**WARNING:** MOUNTING CONFIGURATION AND HARDWARE MUST HOLD 4X THE WEIGHT OF THE FIXTURE. MOUNTING DESIGN AND FIXTURE INSTALLATION SHOULD BE CONDUCTED BY A QUALIFIED LICENSED PROFESSIONAL.



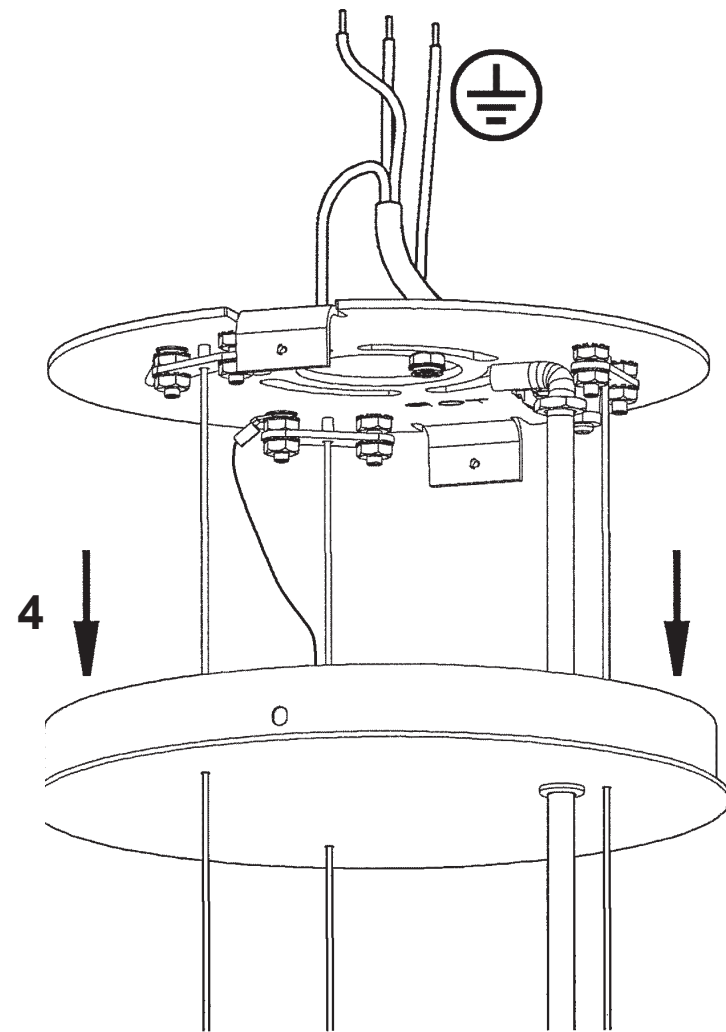




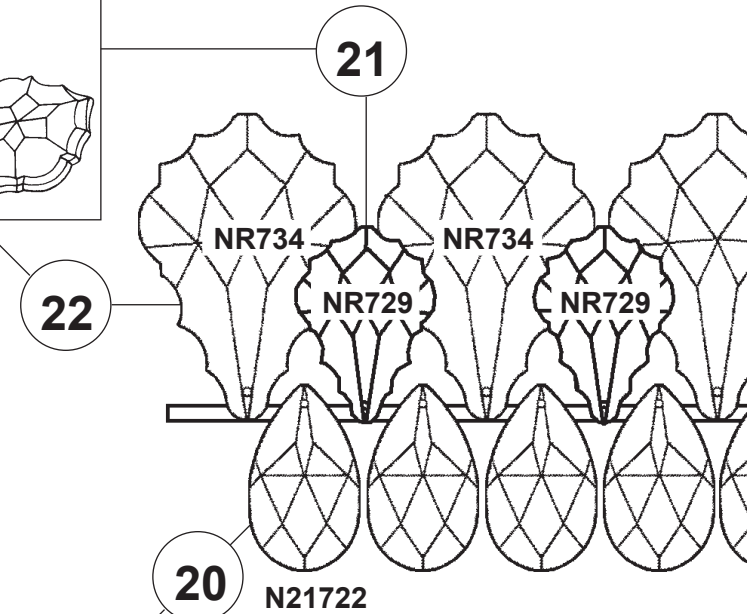
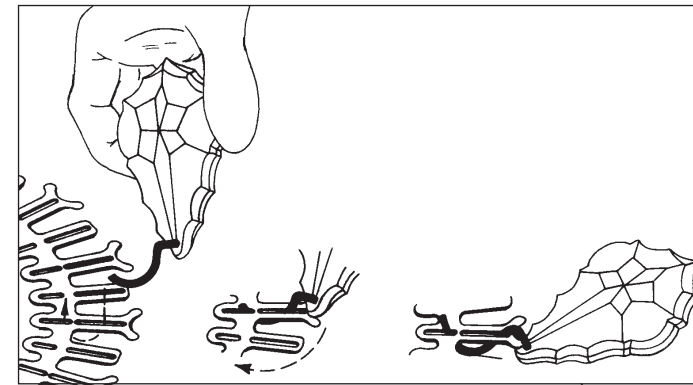
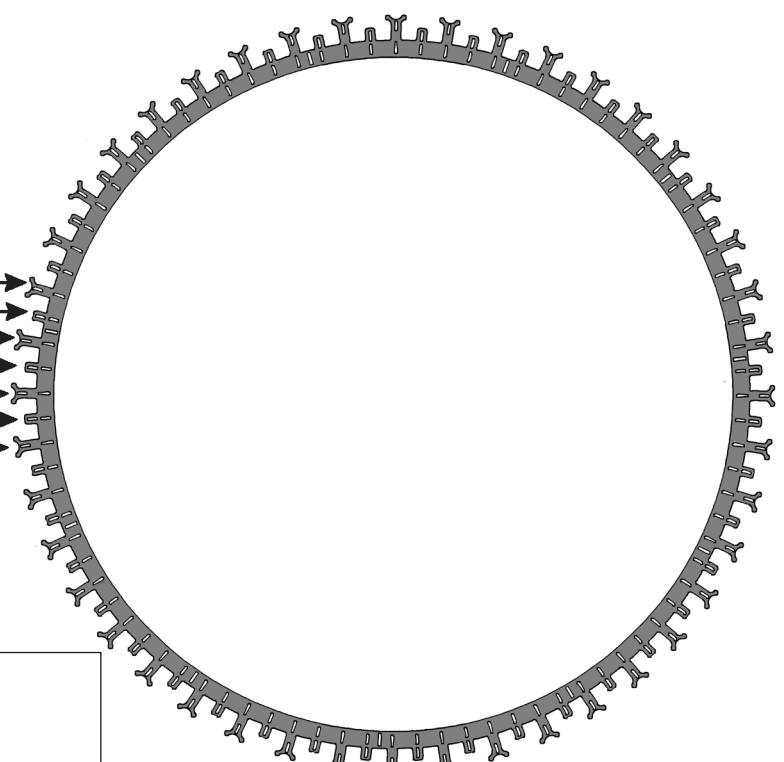
1 X  : 1746

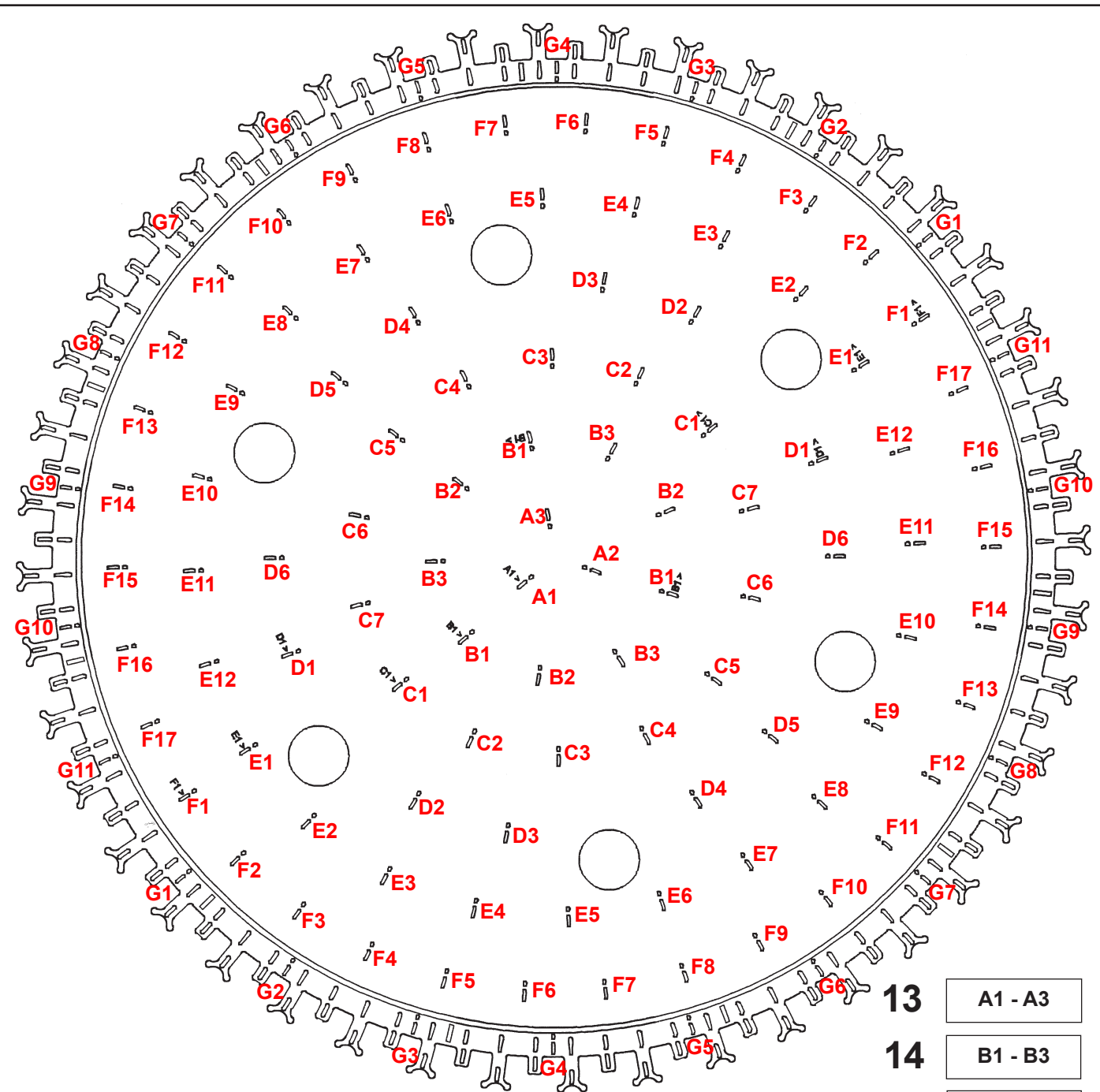


  
1746

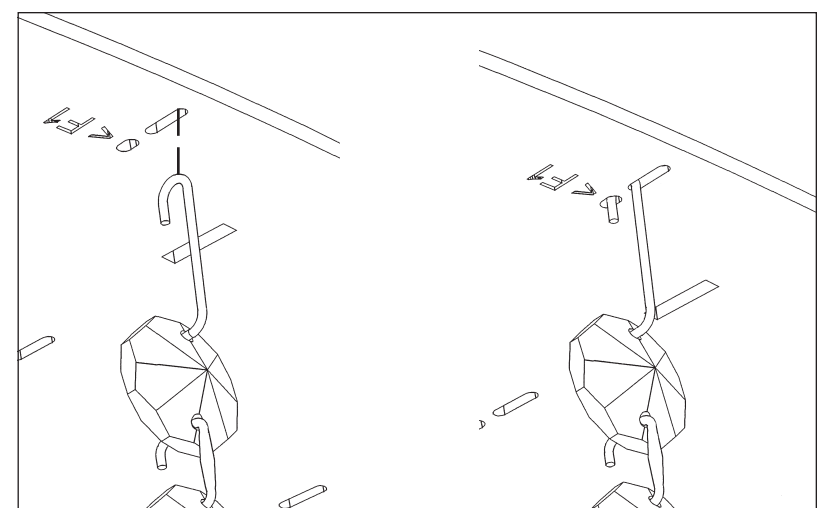


NR734 →  
N21722 →  
NR729 →  
N21722 →  
NR734 →  
N21722 →  
NR729 →





- 13** A1 - A3
- 14** B1 - B3
- 15** C1 - C7
- 16** D1 - D6
- 17** E1 - E12
- 18** F1 - F17
- 19** G1 - G11



After hanging all trim, remove labels from crystals. If residue remains, wipe off crystal with a soft, dry cloth.

