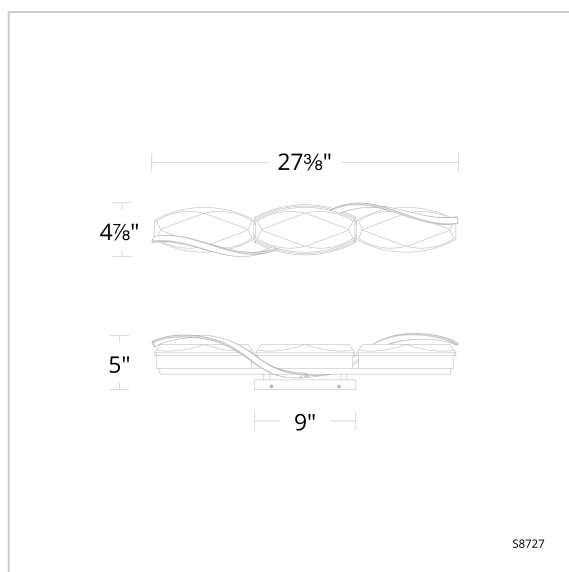


# Bijoux

## S8727



### LINE DRAWING



### DESCRIPTION

Elegantly gracing the attire of royalty for centuries, the brooch has always been more than a mere embellishment—it's an emblem of timeless elegance, evoking an era of refinement and tradition. Bijoux captures this essence with a touch of regal allure. Sparkling ovals, brimming with an array of meticulously faceted Radiance™ Crystal Dust gems, are encircled by sinuous metallic bands, paying homage to the opulence and sophistication of diamond pin designs.

### FEATURES

- Illuminated Optic Crystal with Radiance™ Crystal Dust diffuser
- 4CCT adjustability switch. Set from 3000K/3500K/4000K/5000K
- Can be mounted on wall vertically or upside down
- Driver concealed within the fixture

### CRYSTAL OPTIONS



Radiance  
Crystal Dust  
(RD)

### FINISH OPTIONS



Aged Brass  
(-700)



Brushed  
Nickel  
(-703)

### SPECIFICATIONS

<b>Light Source</b>	LED
<b>CRI</b>	90
<b>Dimming</b>	ELV, Triac
<b>Standards</b>	ETL/cETL, Title 24

### REPLACEMENT PARTS

RPL-GLA-8727 - Replacement Crystal

Model	Finish	Crystal	Size	CCT	Weight	Voltage	Wattage	LED Lumens	Delivered Lumens
S8727	- 700 - 703	RD	27"	3000K/3500K/ 4000K/5000K	15.23lbs	120/277V	28W	1811	Up To 1206

Example: S8727-700R